

# **PARTS CATALOG**

## **Cassette Feeding Module- J1/K1**

**Canon**

**Oct 12 2005**



## **PREFACE**

This Parts Catalog contains listings of parts used

Diagrams are provided with the listings to aid the service technician in identifying clearly, the item to be ordered.

Whenever ordering parts, consult this Parts Catalog for all of the information pertaining to each item. Be sure to include, in the Parts Request, the full item description, the item part number, and the quantity.

***COPYRIGHT (C) 1999 CANON INC.***

Use of this manual should be strictly supervised to avoid disclosure of confidential information.



# Contents

## NUMERICAL INDEX

Cassette Feeding Module-J1/K1 ..... 1-1

### Cassette Feeding Module-J1/K1

RA	ASSEMBLY LOCATION DIAGRAM .....	2-1
R01	PACKING KIT .....	2-2
R11	INTERNAL COMPONENTS(J1 TYPE) .....	2-4
R12	INTERNAL COMPONENTS(K1 TYPE) .....	2-6
R30	CASSETTE .....	2-8
R40	CASSETTE FEEDER ASSEMBLY(J1 TYPE) .....	2-10
R41	CASSETTE FEEDER ASSEMBLY(K1 TYPE) .....	2-12
R42	PAPER PICK-UP ASSEMBLY(J1 TYPE) .....	2-14
R43	PAPER PICK-UP ASSEMBLY(K1 TYPE) .....	2-17



# NUMERICAL INDEX

## Cassette Feeding Module-J1/K1

PARTS NUMBER	FIGURE & KEY NO.	PARTS NUMBER	FIGURE & KEY NO.	PARTS NUMBER	FIGURE & KEY NO.
FB4-5532-000	R40 - 2	FB6-1633-000	R42 - 17	FC6-4358-000	R42 - 27
FB4-5532-000	R41 - 4	FB6-1633-000	R43 - 17	FC6-4358-000	R43 - 27
FB4-5671-000	R40 - 12	FB6-1634-000	R42 - 18	FC6-4361-000	R30 - 6
FB4-5671-000	R41 - 14	FB6-1634-000	R43 - 18	FC6-6706-000	R40 - 5
FB4-5672-000	R42 - 1	FB6-1635-000	R42 - 19	FC6-6706-000	R41 - 7
FB4-5672-000	R43 - 1	FB6-1635-000	R43 - 19	FC6-6707-000	R01 - 1
FB4-5673-000	R42 - 2	FB6-1636-000	R42 - 20	FC6-6707-000	R12 - 5
FB4-5673-000	R43 - 2	FB6-1640-000	R30 - 2	FC6-6710-000	R11 - 1
FB4-5808-020	R30 - 14	FB6-1644-000	R30 - 3	FC6-6710-000	R12 - 1
FB4-5809-020	R30 - 8	FB6-1646-000	R30 - 11	FC6-6712-000	R01 - 2
FB4-5810-000	R30 - 10	FB6-1649-000	R30 - 12	FC6-6714-000	R40 - 17
FB4-5813-020	R30 - 9	FB6-1650-000	R30 - 18	FC6-6714-000	R41 - 19
FB4-5814-000	R30 - 1	FB6-1660-000	R42 - 21	FC6-6720-000	R40 - 1
FB4-5824-000	R30 - 15	FB6-1660-000	R43 - 21	FC6-6720-000	R41 - 3
FB4-6032-000	R42 - 3	FB6-1902-000	R42 - 30	FC6-7036-000	R12 - 2
FB4-6032-000	R43 - 3	FB6-1902-000	R43 - 30	FE5-4048-000	R42 - 42
FB4-6033-000	R42 - 4	FB6-1903-020	R43 - 54	FE5-4048-000	R43 - 42
FB4-6033-000	R43 - 4	FB6-1904-000	R43 - 55	FF6-1610-000	R42 - 34
FB4-6034-000	R42 - 5	FB6-1905-000	R42 - 22	FF6-1610-000	R43 - 34
FB4-6034-000	R43 - 5	FB6-1905-000	R43 - 22	FF6-1621-000	R42 - 28
FB4-9817-000	R42 - 39	FB6-1908-000	R42 - 31	FF6-1621-000	R43 - 28
FB4-9817-030	R43 - 39	FB6-1908-000	R43 - 31	FG6-8440-000	R40 - 6
FB6-1536-000	R40 - 13	FB6-1909-000	R42 - 23	FG6-8440-000	R41 - 8
FB6-1536-000	R41 - 15	FB6-1909-000	R43 - 23	FK2-1104-000	R42 - 29
FB6-1541-000	R42 - 33	FB6-1910-000	R40 - 7	FK2-1104-000	R43 - 29
FB6-1541-000	R43 - 33	FB6-1910-000	R41 - 9	FK2-1109-000	R43 - 20
FB6-1550-000	R42 - 6	FB6-1913-000	R01 - 9	FL2-3736-000	R40 - 20
FB6-1550-000	R43 - 6	FB6-1913-000	R41 - 23	FL2-3736-000	R41 - 20
FB6-1551-000	R42 - 7	FB6-1920-000	R40 - 14	FM2-3325-000	R30 - 7
FB6-1551-000	R43 - 7	FB6-1920-000	R41 - 16	FM2-3326-000	R30 - 13
FB6-1608-000	R40 - 3	FB6-1996-000	R40 - 15	FM2-4483-000	R40 - 11
FB6-1608-000	R41 - 5	FB6-1996-000	R41 - 17	FM2-4483-000	R41 - 13
FB6-1613-000	R42 - 8	FB6-1997-000	R40 - 16	FM2-4495-000	R40 - 19
FB6-1613-000	R43 - 8	FB6-1997-000	R41 - 18	FM2-4496-000	R41 - 11
FB6-1614-000	R42 - 9	FB6-2000-000	R30 - 4	FM2-4497-000	R40 - 22
FB6-1614-000	R43 - 9	FC6-4288-000	R42 - 51	FM2-4498-000	R01 - 6
FB6-1615-000	R42 - 10	FC6-4288-000	R43 - 51	FM2-4498-000	R41 - 24
FB6-1615-000	R43 - 10	FC6-4290-000	R42 - 32	FM2-4499-000	R40 - 10
FB6-1616-000	R42 - 11	FC6-4290-000	R43 - 32	FM2-4500-000	R11 - 2
FB6-1616-000	R43 - 11	FC6-4304-000	R42 - 24	FM2-4500-000	R12 - 4
FB6-1623-000	R42 - 12	FC6-4304-000	R43 - 24	FM2-4506-000	R41 - 1
FB6-1623-000	R43 - 12	FC6-4337-000	R30 - 5	FM2-4507-000	R41 - 2
FB6-1624-000	R42 - 13	FC6-4350-000	R42 - 36	FM2-4614-000	R42 -
FB6-1624-000	R43 - 13	FC6-4350-000	R43 - 36	FM2-4614-000	R43 -
FB6-1626-000	R42 - 14	FC6-4352-000	R42 - 25	FS1-1205-000	R42 - 43
FB6-1626-000	R43 - 14	FC6-4352-000	R43 - 25	FS1-1205-000	R43 - 43
FB6-1628-000	R42 - 15	FC6-4355-000	R42 - 26	FS5-9714-000	R42 - 52
FB6-1628-000	R43 - 15	FC6-4355-000	R43 - 26	FS5-9714-000	R43 - 52
FB6-1631-030	R42 - 40	FC6-4356-000	R42 - 41	FS6-2917-000	R30 - 16
FB6-1631-030	R43 - 40	FC6-4356-000	R43 - 41	FS7-0207-000	R30 - 17
FB6-1632-000	R42 - 16	FC6-4357-000	R40 - 4	FS7-0225-000	R42 - 44
FB6-1632-000	R43 - 16	FC6-4357-000	R41 - 6	FS7-0225-000	R43 - 44

# NUMERICAL INDEX

## Cassette Feeding Module-J1/K1

PARTS NUMBER	FIGURE & KEY NO.	PARTS NUMBER	FIGURE & KEY NO.	PARTS NUMBER	FIGURE & KEY NO.
FS7-0226-000	R42 - 45	XD1-1106-235	R40 - 503		
FS7-0226-000	R43 - 45	XD1-1106-235	R41 - 503		
FS7-0227-000	R42 - 46	XD3-1200-122	R42 - 35		
FS7-0227-000	R43 - 46	XD3-1200-122	R43 - 35		
FS7-0228-000	R42 - 47	XD9-0133-000	R42 - 37		
FS7-0228-000	R43 - 47	XD9-0133-000	R43 - 37		
FS7-0229-000	R42 - 48	XD9-0136-000	R40 - 18		
FS7-0229-000	R43 - 48	XD9-0136-000	R41 - 22		
FS7-0230-000	R42 - 49	XD9-0136-000	R42 - 38		
FS7-0230-000	R43 - 49	XD9-0136-000	R43 - 38		
FU5-8584-000	R01 - 8	XH9-0135-000	R11 - 3		
FU5-8587-000	R30 - 20	XH9-0135-000	R12 - 3		
FU5-8588-000	R30 - 19				
FU5-8600-000	R01 - 5				
FU5-8600-000	R01 - 5				
FU5-8601-000	R01 - 4				
FU5-8601-000	R01 - 4				
FU5-8609-000	R01 - 3				
FU5-8609-000	R01 - 3				
FU6-2175-000	R42 - 53				
FU6-2175-000	R43 - 53				
NPN	R01 -				
NPN	R11 -				
NPN	R12 -				
NPN	R30 -				
NPN	R40 -				
NPN	R41 -				
VS1-7177-002	R41 - 12				
VS1-7177-013	R40 - 9				
VS1-7177-013	R41 - 25				
WC2-5332-000	R40 - 8				
WC2-5332-000	R41 - 10				
WE8-5648-000	R01 - 7				
WG8-5362-000	R42 - 50				
WG8-5624-000	R42 -				
WG8-5624-000	R43 - 50				
XB1-2400-607	R40 - 502				
XB1-2400-607	R41 - 502				
XB2-7300-607	R01 - 501				
XB2-7300-607	R40 - 504				
XB2-7300-607	R42 - 502				
XB2-7300-607	R43 - 502				
XB4-5401-007	R01 - 502				
XB4-5401-007	R11 - 501				
XB4-5401-007	R12 - 501				
XB4-5401-007	R40 - 501				
XB4-5401-007	R41 - 501				
XB4-7401-009	R30 - 501				
XB4-7401-009	R42 - 501				
XB4-7401-009	R43 - 501				
XB6-7300-609	R42 - 503				
XB6-7300-609	R43 - 503				



# Cassette Feeding Module-J1/K1

Cassette Feeding Module-J1

**F28-0122-000 KSC**

Cassette Feeding Module-K1

**F28-0123-000 KSE**

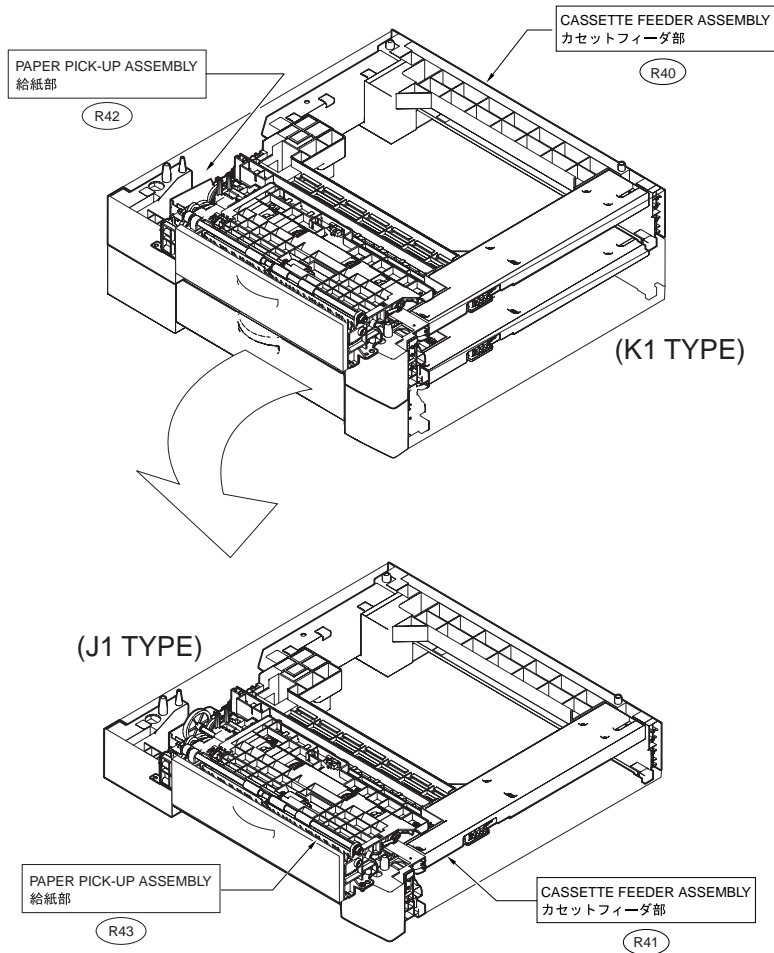


## Contents

RA	ASSEMBLY LOCATION DIAGRAM .....	2-1
R01	PACKING KIT .....	2-2
R11	INTERNAL COMPONENTS(J1 TYPE).....	2-4
R12	INTERNAL COMPONENTS(K1 TYPE) .....	2-6
R30	CASSETTE .....	2-8
R40	CASSETTE FEEDER ASSEMBLY(J1 TYPE).....	2-10
R41	CASSETTE FEEDER ASSEMBLY(K1 TYPE).....	2-12
R42	PAPER PICK-UP ASSEMBLY(J1 TYPE) .....	2-14
R43	PAPER PICK-UP ASSEMBLY(K1 TYPE).....	2-17



# FIGURE RA ASSEMBLY LOCATION DIAGRAM



# FIGURE R01 PACKING KIT

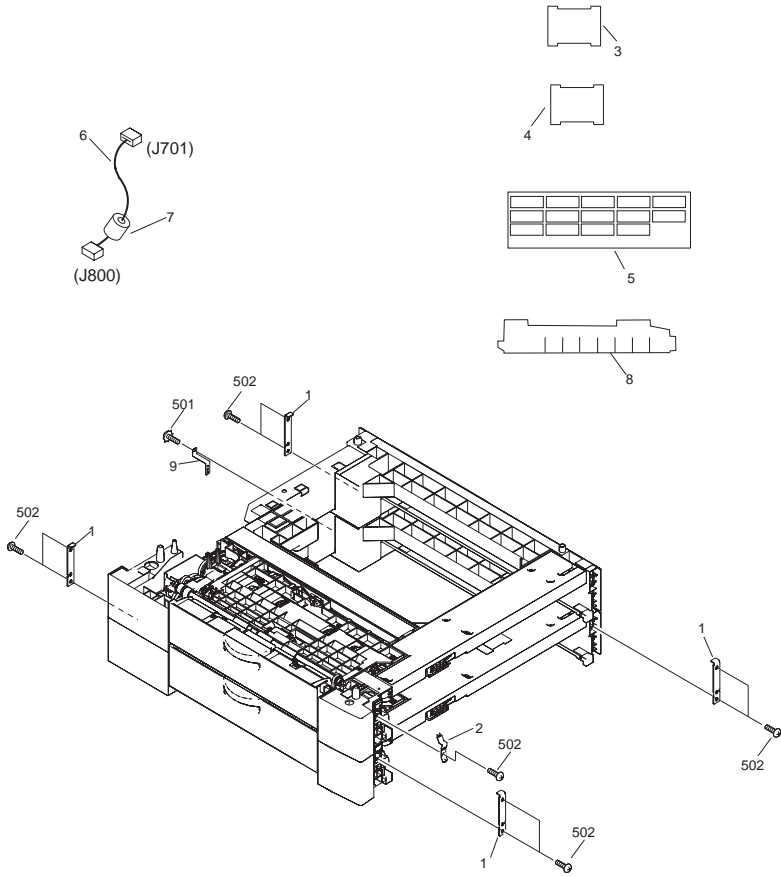


FIGURE & KEY NO.	PARTS NUMBER	RANK	Q'TY	DESCRIPTION	SERIAL NUMBER/REMARKS	SVC
Fig.R01	NPN		RF	PACKING KIT		
1	FC6-6707-000		4	PLATE, JOINT		
2	FC6-6712-000		1	PLATE, EARTH		
3	FU5-8609-000		1	SHEET, 'WARNING'	JI TYPE	
3	FU5-8609-000		2	SHEET, 'WARNING'	K1 TYPE	
4	FU5-8601-000		1	SHEET, 'WARNING'	J1 TYPE	
4	FU5-8601-000		2	SHEET, 'WARNING'	K1 TYPE	
5	FU5-8600-000		1	LABEL, PAPER SIZE	J1 TYPE	
5	FU5-8600-000		2	LABEL, PAPER SIZE	K1 TYPE	
6	FM2-4498-000		1	CABLE, INTERFACE, 2	K1 TYPE J701,800	
7	WE8-5648-000		1	CORE, SLEEVE FERRITE	JI TYPE	
8	FU5-8584-000		1	SHEET,PAPER SIZE SETTING		
9	FB6-1913-000		1	PLATE,GROUNDING	K1 TYPE	
501	XB2-7300-607		2	SCREW, WWASHER, M3X6		
502	XB4-5401-007		9	SCREW, M4X10		

FIGURE R11  
INTERNAL COMPONENTS(J1 TYPE)

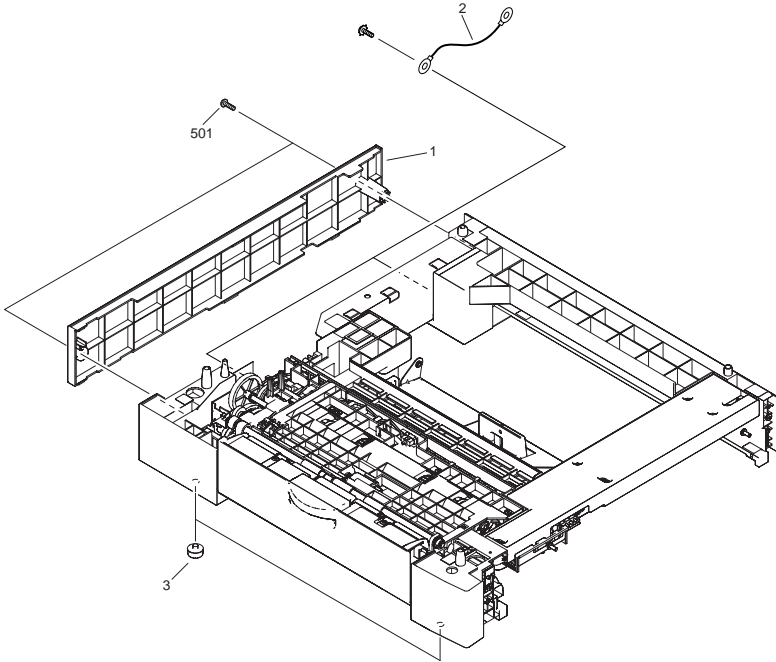




FIGURE & KEY NO.	PARTS NUMBER	RANK	Q'TY	DESCRIPTION	SERIAL NUMBER/REMARKS	SVC
Fig.R11	NPN		RF	INTERNAL COMPONENTS	J1 TYPE	
1	FC6-6710-000		1	COVER, CASSETTE, REAR		
2	FM2-4500-000		2	CABLE, EARTH		
3	XH9-0135-000		2	FOOT, RUBBER		
501	XB4-5401-007		2	SCREW, M4X10		

# FIGURE R12 INTERNAL COMPONENTS(K1 TYPE)

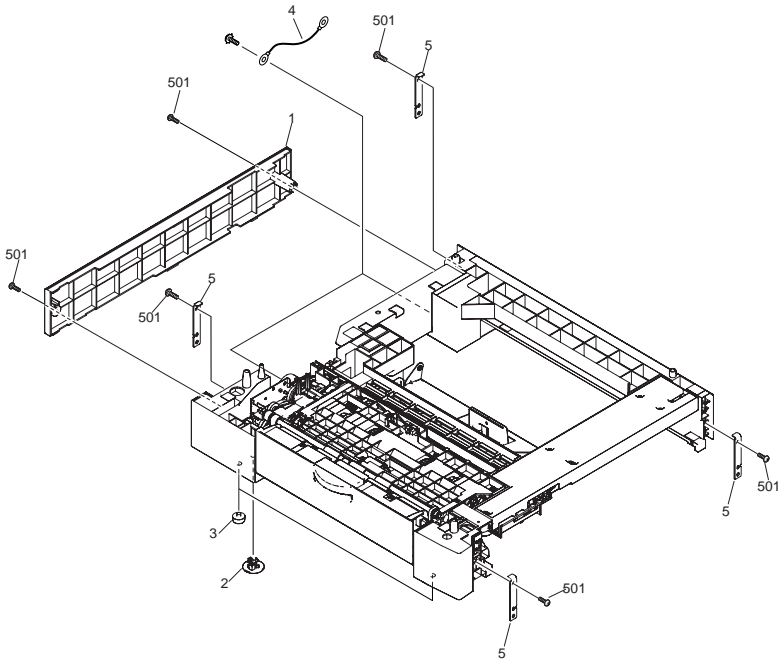


FIGURE & KEY NO.	PARTS NUMBER	RANK	Q'TY	DESCRIPTION	SERIAL NUMBER/REMARKS	SVC
Fig.R12	NPN		RF	INTERNAL COMPONENTS	K1 TYPE	
1	FC6-6710-000		1	COVER, CASSETTE, REAR		
2	FC6-7036-000		1	CAP		
3	XH9-0135-000		2	FOOT, RUBBER		
4	FM2-4500-000		2	CABLE, EARTH		
5	FC6-6707-000		4	PLATE, JOINT		
501	XB4-5401-007		6	SCREW, M4X10		

# FIGURE R30 CASSETTE

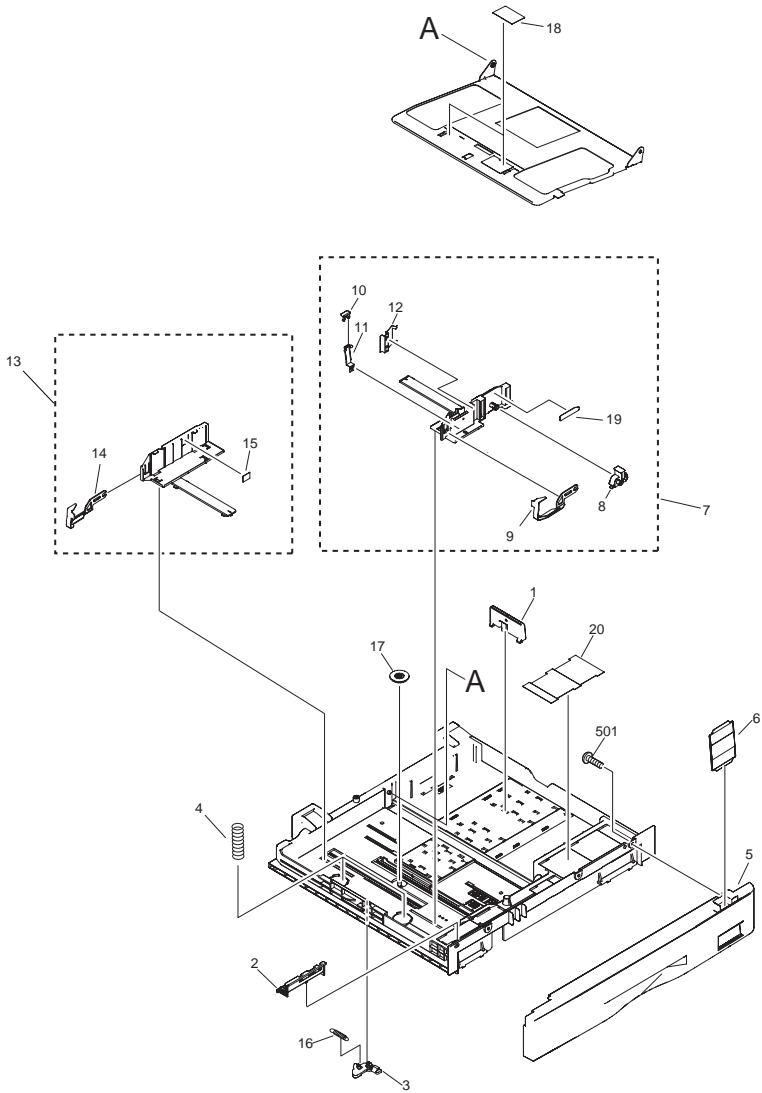


FIGURE & KEY NO.	PARTS NUMBER	R A N K	Q'TY	DESCRIPTION	SERIAL NUMBER/ REMARKS	S V C
Fig.R30	NPN		RF	CASSETTE		
1	FB4-5814-000		1	PLATE, SIZE, REAR		
2	FB6-1640-000		1	LEVER, PAPER SIZE		
3	FB6-1644-000		1	LOCK, PAPER LIFTING PLATE		
4	FB6-2000-000		2	SPRING, COMPRESSION		
5	FC6-4337-000		1	COVER, CASSETTE		
6	FC6-4361-000		1	PLATE, SIZE INDICATOR		
7	FM2-3325-000		1	PAPER SIDE GUIDE (F) UNIT		
8	FB4-5809-020		1	LEVER, LOCK		
9	FB4-5813-020		1	PLATE, HOLD-DOWN TAB		
10	FB4-5810-000		1	PLATE, PAPER CONTACT		
11	FB6-1646-000		1	SPRING, LEAF		
12	FB6-1649-000		1	SPRING, LEAF		
13	FM2-3326-000		1	PAPER SIDE GUIDE (R) UNIT		
14	FB4-5808-020		1	PLATE, HOLD-DOWN TAB		
15	FB4-5824-000		1	LABEL, LIMIT		
16	FS6-2917-000		1	SPRING, TENSION		
17	FS7-0207-000		1	GEAR, 20T		
18	FB6-1650-000		2	SHEET SEPARATION		
19	FU5-8588-000		1	LABEL, SIDE LOCK		
20	FU5-8587-000		1	SHEET, PAPER SUPPLY		
501	XB4-7401-009		2	SCREW, TAPPING, PAN HEAD		

# FIGURE R40 CASSETTE FEEDER ASSEMBLY(J1 TYPE)

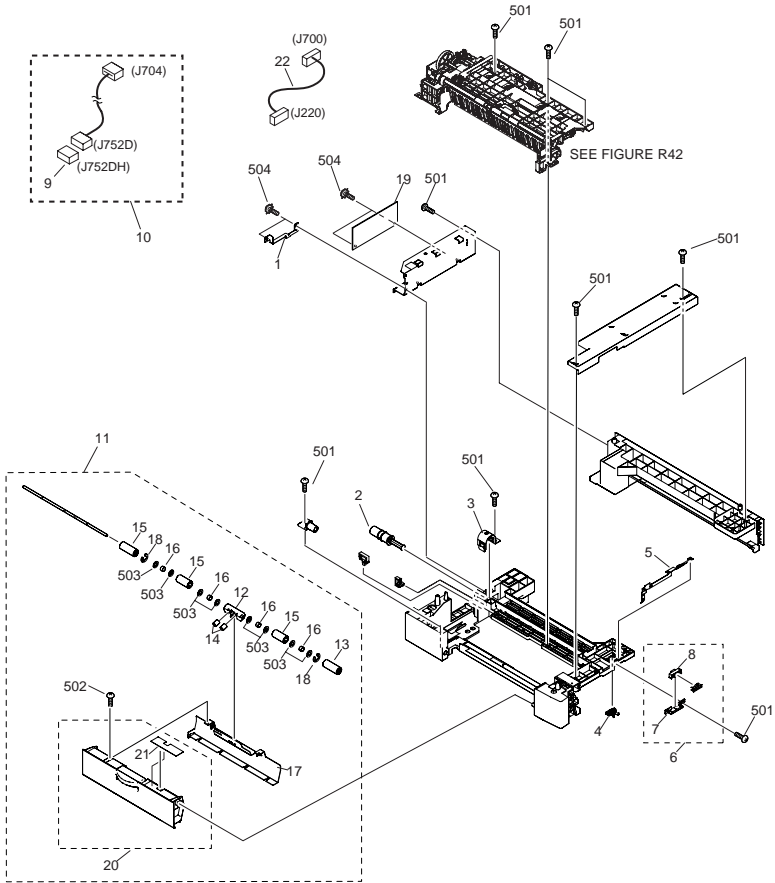


FIGURE & KEY NO.	PARTS NUMBER	R A N K	Q'TY	DESCRIPTION	SERIAL NUMBER/ REMARKS	S V C
Fig.R40	NPN		RF	CASSETTE FEEDER ASSEMBLY	J1 TYPE	
1	FC6-6720-000		1	PLATE, GROUNDING		
2	FB4-5532-000		1	DAMPER		
3	FB6-1608-000		1	HOLDER, DAMPER		
4	FC6-4357-000		1	BLOCK, POSITION		
5	FC6-6706-000		1	PLATE, EARTH		
6	FG6-8440-000		1	SIZE SENSOR UNIT		
7	FB6-1910-000		1	MOUNT, SIZE SENSOR		
8	WC2-5332-000		1	SWITCH, CASSETTE SIZE		
9	VS1-7177-013		1	CONNECTOR, SNAP TIGHT		
10	FM2-4499-000		1	CABLE, FEEDER	J704,752D	
11	FM2-4483-000		1	VERTICAL PATH UNIT		
12	FB4-5671-000		1	MOUNT, ROLLER		
13	FB6-1536-000		2	ROLLER		
14	FB6-1920-000		2	SPRING, COMPRESSION		
15	FB6-1996-000		2	ROLLER, VERTICAL PATH		
16	FB6-1997-000		4	SPRING, COMPRESSION		
17	FC6-6714-000		1	GUIDE, VERTICAL PATH		
18	XD9-0136-000		2	RING,E		
19	FM2-4495-000		1	FEEDER CONTROLLER PCB ASS'Y		
20	FL2-3736-000		1	COVER,VERTICAL PATH		
22	FM2-4497-000		1	CABLE, INTERFACE, 1	J220,700	
501	XB4-5401-007		14	SCREW, M4X10		
502	XB1-2400-607		2	SCREW, MACH.,TRUSS HEAD,M4X6		
503	XD1-1106-235		8	SHIM		
504	XB2-7300-607		4	SCREW, W/WASHER, M3X6		

# FIGURE R41 CASSETTE FEEDER ASSEMBLY(K1 TYPE)

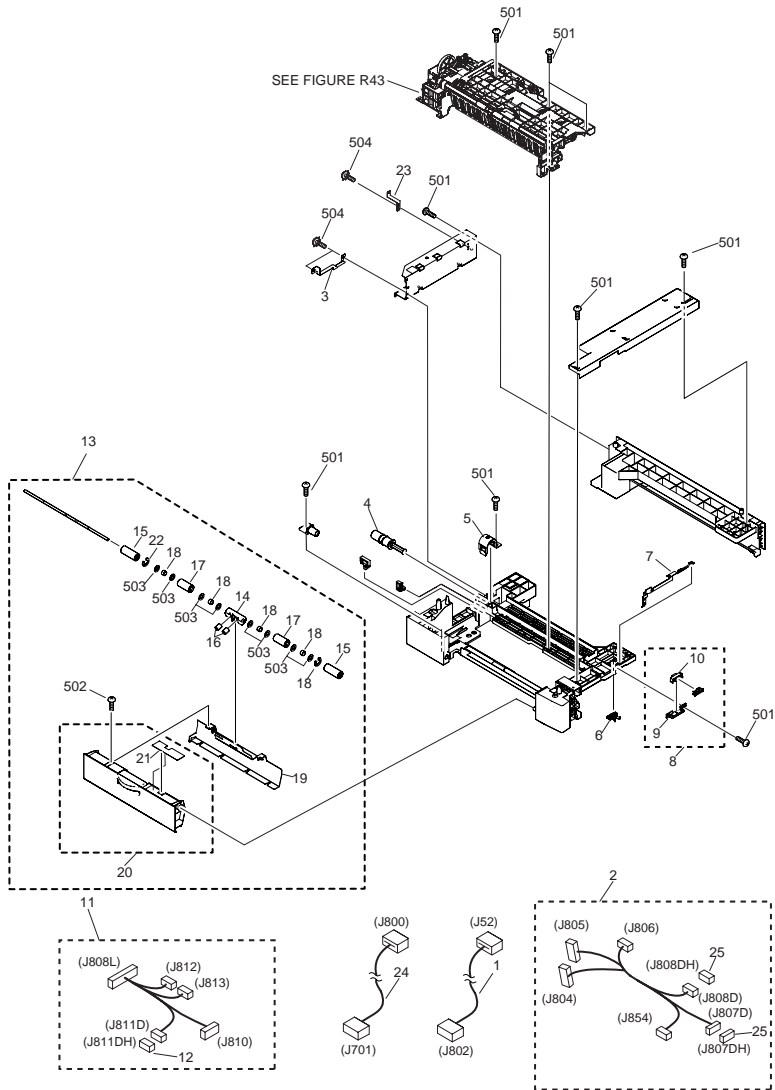




FIGURE & KEY NO.	PARTS NUMBER	R A N K	Q'TY	DESCRIPTION	SERIAL NUMBER/ REMARKS	S V C
Fig.R41	NPN		RF	CASSETTE FEEDER ASSEMBLY	K1 TYPE	
1	FM2-4506-000		1	CABLE,FEEDER	J52,802	
2	FM2-4507-000		1	CABLE, FEEDER	J804,805,806,854,807D,808D	
3	FC6-6720-000		1	PLATE, GROUNDING		
4	FB4-5532-000		1	DAMPER		
5	FB6-1608-000		1	HOLDER, DAMPER		
6	FC6-4357-000		1	BLOCK, POSITION		
7	FC6-6706-000		1	PLATE, EARTH		
8	FG6-8440-000		1	SIZE SENSOR UNIT		
9	FB6-1910-000		1	MOUNT, SIZE SENSOR		
10	WC2-5332-000		1	SWITCH, CASSETTE SIZE		
11	FM2-4496-000		1	CABLE, FEEDER	J810,812,813,808L,811D	
12	VS1-7177-002		1	CONNECTOR, SNAP TIGHT, BK	J811DH	
13	FM2-4483-000		1	VERTICAL PATH UNIT		
14	FB4-5671-000		1	MOUNT, ROLLER		
15	FB6-1536-000		2	ROLLER		
16	FB6-1920-000		2	SPRING, COMPRESSION		
17	FB6-1996-000		2	ROLLER, VERTICAL PATH		
18	FB6-1997-000		4	SPRING, COMPRESSION		
19	FC6-6714-000		1	GUIDE, VERTICAL PATH		
20	FL2-3736-000		1	COVER, VERTICAL PATH		
22	XD9-0136-000		2	RING,E		
23	FB6-1913-000		1	PLATE, GROUNDING		
24	FM2-4498-000		1	CABLE, INTERFACE, 2	J701,800	
25	VS1-7177-013		2	CONNECTOR, SNAP TIGHT	J807DH,808DH	
501	XB4-5401-007		14	SCREW, M4X10		
502	XB1-2400-607		2	SCREW, MACH.,TRUSS HEAD, M4X6		
503	XD1-1106-235		8	SHIM		

FIGURE R42  
PAPER PICK-UP ASSEMBLY(J1 TYPE)

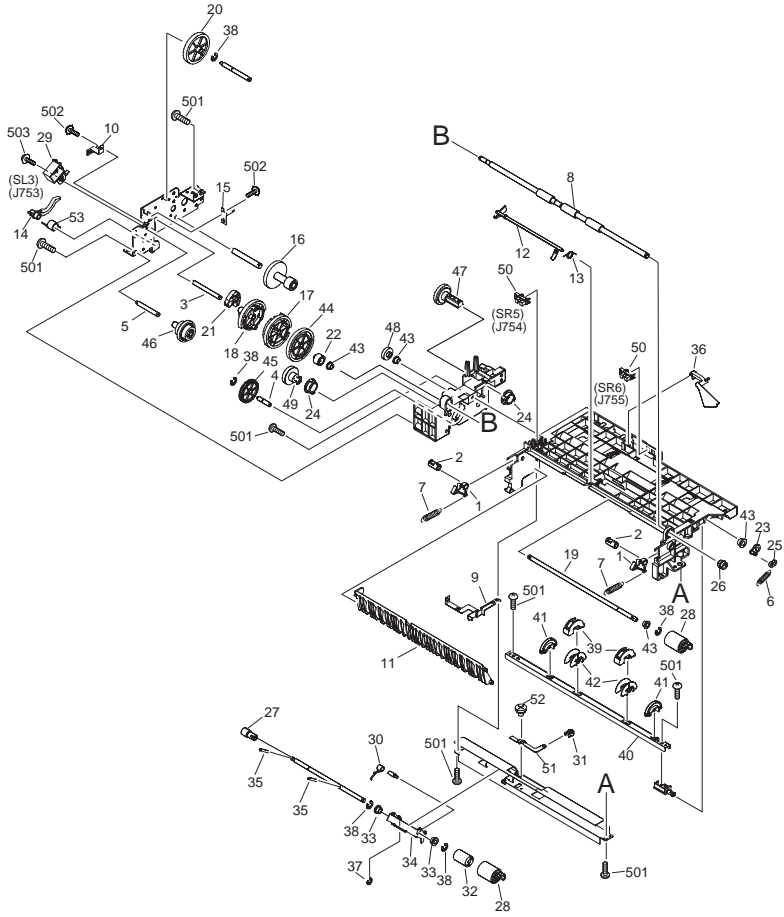


FIGURE & KEY NO.	PARTS NUMBER	R A N K	Q'TY	DESCRIPTION	SERIAL NUMBER/ REMARKS	S V C
Fig.R42	FM2-4614-000		1	PAPER PICK-UP ASSEMBLY	J1 TYPE	
1	FB4-5672-000		2	PAWL, LOCK		
2	FB4-5673-000		2	SHAFT, LOCK		
3	FB4-6032-000		1	SHAFT, CLUTCH		
4	FB4-6033-000		1	SHAFT, IDLER		
5	FB4-6034-000		1	SHAFT		
6	FB6-1550-000		1	SPRING, TENSION		
7	FB6-1551-000		2	SPRING, TENSION		
8	FB6-1613-000		1	ROLLER, VERTICAL PATH		
9	FB6-1614-000		1	PLATE, GROUNDING		
10	FB6-1615-000		1	PLATE, GROUNDING		
11	FB6-1616-000		1	GUIDE, VERTICAL PATH		
12	FB6-1623-000		1	ARM, FEED SENSOR		
13	FB6-1624-000		1	SPRING, TORSION		
14	FB6-1626-000		1	LEVER, COUPLING		
15	FB6-1628-000		1	PLATE, GROUNDING		
16	FB6-1632-000		1	GEAR, 16T/34T		
17	FB6-1633-000		1	GEAR, 27T/50T		
18	FB6-1634-000		1	GEAR, 29T		
19	FB6-1635-000		1	SHAFT		
20	FB6-1636-000		1	GEAR, 39T		
21	FB6-1660-000		1	CAM		
22	FB6-1905-000		1	GEAR, 14T		
23	FB6-1909-000		1	BUSHING		
24	FC6-4304-000		2	BUSHING, ROLLER, PICK-UP		
25	FC6-4352-000		1	COLLAR, SPRING		
26	FC6-4355-000		1	BUSHING		
27	FC6-4358-000		1	JOINT, RETARD		
28	FF6-1621-000		2	ROLLER, SEPARATION		
29	FK2-1104-000		1	SOLENOID		
30	FB6-1902-000		1	SPRING, TORSION		
31	FB6-1908-000		1	CAP		

FIGURE & KEY NO.	PARTS NUMBER	R A N K	Q'TY	DESCRIPTION	SERIAL NUMBER/ REMARKS	S V C
32	FC6-4290-000		1	LIMITTER, TORQUE		
33	FB6-1541-000		2	BUSHING		
34	FF6-1610-000		1	HOLDER, SEPARATION ROLLER		
35	XD3-1200-122		2	PIN, SPRING		
36	FC6-4350-000		1	ARM,DETECTION<PAPER		
37	XD9-0133-000		1	RING, E		
38	XD9-0136-000		5	RING,E		
39	FB4-9817-000		2	ROLLER, PICK-UP		
40	FB6-1631-030		1	SHAFT, PICK-UP ROLLER		
41	FC6-4356-000		2	ROLLER, LOOP		
42	FE5-4048-000		2	BLOCK, PICK-UP ROLLER ADAPTER		
43	FS1-1205-000		4	BUSHING		
44	FS7-0225-000		1	GEAR, 53T		
45	FS7-0226-000		1	GEAR, 36T		
46	FS7-0227-000		1	GEAR, 21T/33T/22T		
47	FS7-0228-000		1	GEAR, 31T		
48	FS7-0229-000		1	GEAR, 18T		
49	FS7-0230-000		1	GEAR, 27T		
50	WG8-5362-000		2	PHOTO-INTERRUPTER, TLP1241		
51	FC6-4288-000		1	LEVER,PRESSURE		
52	FS5-9714-000		1	SCREW,STEPPED,M3		
53	FU6-2175-000		1	SPRING,TORSION		
501	XB4-7401-009		10	SCREW, TAPPING, PAN HEAD,M4X10		
502	XB2-7300-607		2	SCREW, W/WASHER, M3X6		
503	XB6-7300-609		1	SCREW,TP,M3X6		
	WG8-5624-000		2	IC, TLP1241, PHOTO-INTERRUPTER		

# FIGURE R43 PAPER PICK-UP ASSEMBLY(K1 TYPE)

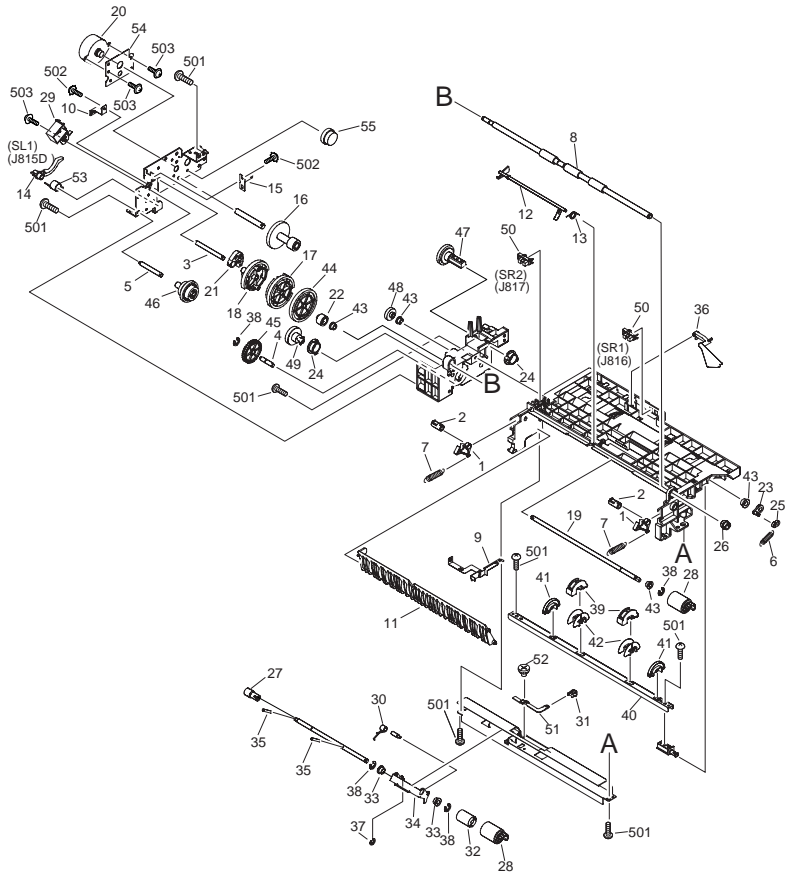


FIGURE & KEY NO.	PARTS NUMBER	R A N K	Q'TY	DESCRIPTION	SERIAL NUMBER/ REMARKS	S V C
Fig.R43	FM2-4614-000		1	PAPER PICK-UP ASSEMBLY	K1 TYPE	
1	FB4-5672-000		2	PAWL, LOCK		
2	FB4-5673-000		2	SHAFT, LOCK		
3	FB4-6032-000		1	SHAFT, CLUTCH		
4	FB4-6033-000		1	SHAFT, IDLER		
5	FB4-6034-000		1	SHAFT		
6	FB6-1550-000		1	SPRING, TENSION		
7	FB6-1551-000		2	SPRING, TENSION		
8	FB6-1613-000		1	ROLLER, VERTICAL PATH		
9	FB6-1614-000		1	PLATE, GROUNDING		
10	FB6-1615-000		1	PLATE, GROUNDING		
11	FB6-1616-000		1	GUIDE, VERTICAL PATH		
12	FB6-1623-000		1	ARM, FEED SENSOR		
13	FB6-1624-000		1	SPRING, TORSION		
14	FB6-1626-000		1	LEVER, COUPLING		
15	FB6-1628-000		1	PLATE, GROUNDING		
16	FB6-1632-000		1	GEAR, 16T/34T		
17	FB6-1633-000		1	GEAR, 27T/50T		
18	FB6-1634-000		1	GEAR, 29T		
19	FB6-1635-000		1	SHAFT		
20	FK2-1109-000		1	MOTOR, STEPPING		
21	FB6-1660-000		1	CAM		
22	FB6-1905-000		1	GEAR, 14T		
23	FB6-1909-000		1	BUSHING		
24	FC6-4304-000		2	BUSHING, ROLLER, PICK-UP		
25	FC6-4352-000		1	COLLAR, SPRING		
26	FC6-4355-000		1	BUSHING		
27	FC6-4358-000		1	JOINT, RETARD		
28	FF6-1621-000		2	ROLLER, SEPARATION		
29	FK2-1104-000		1	SOLENOID	SL1 J815D	
30	FB6-1902-000		1	SPRING, TORSION		
31	FB6-1908-000		1	CAP		

FIGURE & KEY NO.	PARTS NUMBER	R A N K	Q'TY	DESCRIPTION	SERIAL NUMBER/ REMARKS	S V C
32	FC6-4290-000		1	LIMITTER, TORQUE		
33	FB6-1541-000		2	BUSHING		
34	FF6-1610-000		1	HOLDER, SEPARATION ROLLER		
35	XD3-1200-122		2	PIN, SPRING		
36	FC6-4350-000		1	ARM, DETECTION, PAPER		
37	XD9-0133-000		1	RING, E		
38	XD9-0136-000		4	RING,E		
39	FB4-9817-030		2	ROLLER, PICK-UP		
40	FB6-1631-030		1	SHAFT, PICK-UP ROLLER		
41	FC6-4356-000		2	ROLLER, LOOP		
42	FE5-4048-000		2	BLOCK, PICK-UP ROLLER ADAPTER		
43	FS1-1205-000		4	BUSHING		
44	FS7-0225-000		1	GEAR, 53T		
45	FS7-0226-000		1	GEAR, 36T		
46	FS7-0227-000		1	GEAR, 21T/33T/22T		
47	FS7-0228-000		1	GEAR, 31T		
48	FS7-0229-000		1	GEAR, 18T		
49	FS7-0230-000		1	GEAR, 27T		
50	WG8-5624-000		2	IC, TLP1241, PHOTO-INTERRUPTER	SR1,2 J816,817	
51	FC6-4288-000		1	LEVER, PRESSURE		
52	FS5-9714-000		1	SCREW, STEPPED, M3		
53	FU6-2175-000		1	SPRING, TORSION		
54	FB6-1903-020		1	SUPPORT,MOTOR		
55	FB6-1904-000		1	GEAR,15T/39T		
501	XB4-7401-009		10	SCREW, TAPPING, PAN HEAD,M4X10		
502	XB2-7300-607		2	SCREW, W/WASHER, M3X6		
503	XB6-7300-609		4	SCREW,TP,M3X6		





Prepared by  
OIP HFE Promotion Center  
CANON INC.

**Canon**